

SYDNEY GLASS LIFTERS

GLASS LIFTING EQUIPMENT HIRE

P: 0411 429 813 E: HIRE@GLASSLIFTERS.COM.AU W: WWW.GLASSLIFTERS.COM.AU

GML800+ Manipulator



- Fully automated via remote control
- 900 kg to be lifted to a height of 3.30m and up to 500 kg to a height of 7.94m
- Width 780mm Height 1980mm Length 1940mm
- Drill kit wrench unit or manual handles
- Ideal for large number of glass handling requirements
- 360 degree freedom of movement
- 8x300 mm suction caps

Lift Capacity	500kg up to 7.94m
Total Rig Weight	715kg (with GML 800)
Rig Size	7.9m in overhead position, 950mm outriggers folded 2750mm outriggers out
Tilt	90 degree tilt / lateral side tilt +/- 10 degree
Rotate	360 degree rotation

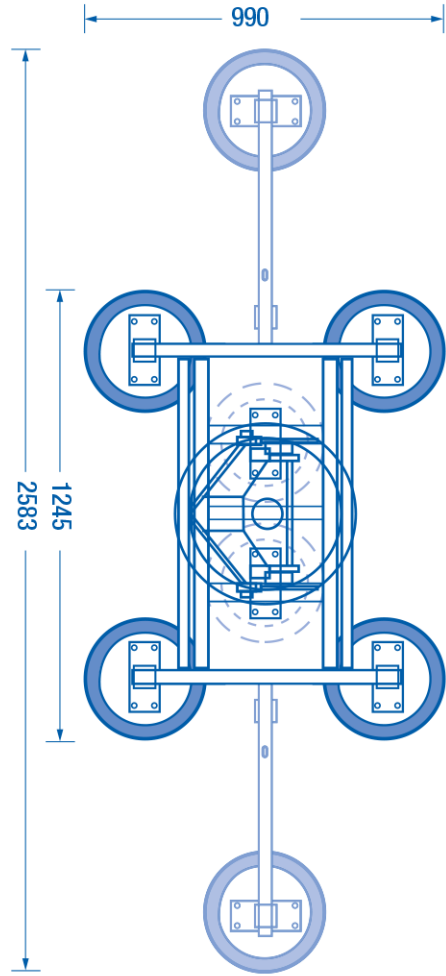
SYDNEY GLASS LIFTERS

15 Short Street, Gladesville, NSW 2111 | Mobile: 0411.429.813 | Fax: 02.9618.2145 | www.glasslifters.com.au | hire@glasslifters.com.au

SYDNEY GLASS LIFTERS

GLASS LIFTING EQUIPMENT HIRE

P: 0411 429 813 | E: HIRE@GLASSLIFTERS.COM.AU | W: WWW.GLASSLIFTERS.COM.AU



8 APPLICATIONS
THAT MAKE THE
GML800+
A WINNER

800kg Maximum Safe Working Load

Max Working Height 7.9m

Overhead Glazing

360° Rotation

Optional Electric Winch up to 120m

Fully Automated Remote Control

Fits in a standard lift

Below the Hook Vacuum Lifter

SYDNEY GLASS LIFTERS

15 Short Street, Gladesville, NSW 2111 | Mobile: 0411.429.813 | Fax: 02.9618.2145 | www.glasslifters.com.au | hire@glasslifters.com.au