

SYDNEY GLASS LIFTERS

GLASS LIFTING EQUIPMENT HIRE

P: 0411 429 813 E: HIRE@GLASSLIFTERS.COM.AU W: WWW.GLASSLIFTERS.COM.AU

GML 800+ DC



- Full charge sufficient for a full day of standard operation
- 900 kg to be lifted to a height of 3.30m and up to 500 kg to a height of 7.94m
- Width 780mm Height 1980mm Length 1940mm
- Hook attachment available
- Remote Control mast with variable speed control
- Lateral outriggers

Lift Capacity	500kg up to 7.94m
Total Rig Weight	690kg (with GML 800 DC)
Rig Size	7.9m in overhead position, 950mm outriggers folded 2750mm outriggers out
Tilt	90 degree tilt / lateral side tilt +/- 10 degree
Rotate	360 degree rotation

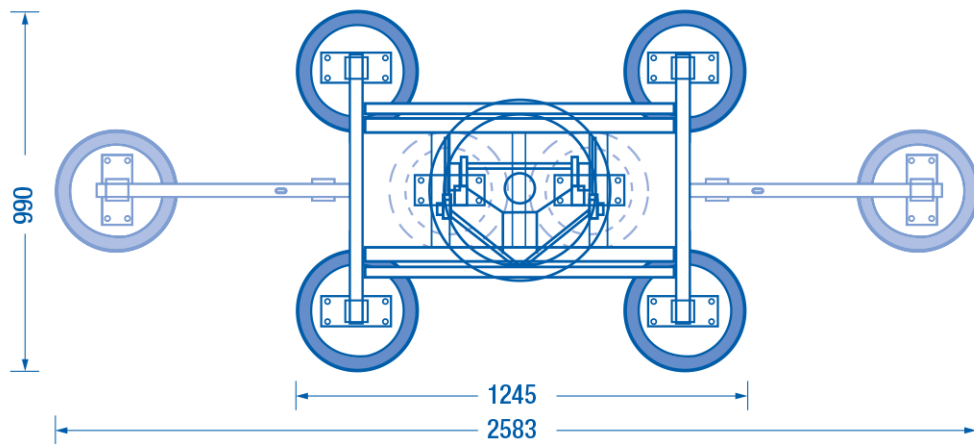
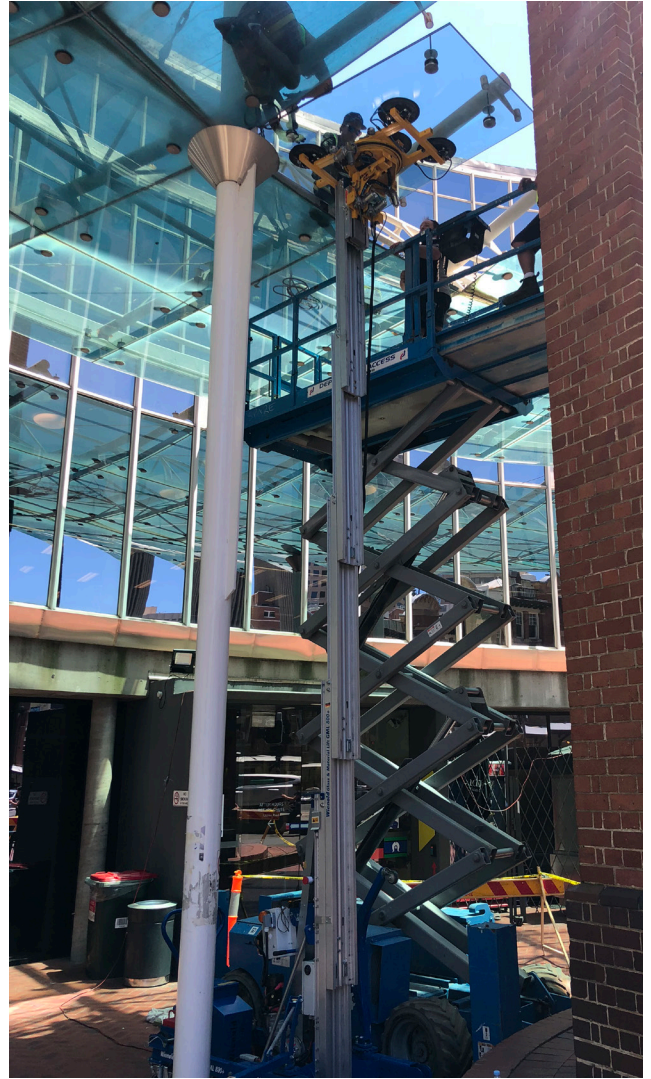
SYDNEY GLASS LIFTERS

15 Short Street, Gladesville, NSW 2111 | Mobile: 0411.429.813 | Fax: 02.9618.2145 | www.glasslifters.com.au | hire@glasslifters.com.au

SYDNEY GLASS LIFTERS

GLASS LIFTING EQUIPMENT HIRE

P: 0411 429 813 | E: HIRE@GLASSLIFTERS.COM.AU | W: WWW.GLASSLIFTERS.COM.AU



SYDNEY GLASS LIFTERS

15 Short Street, Gladesville, NSW 2111 | Mobile: 0411.429.813 | Fax: 02.9618.2145 | www.glasslifters.com.au | hire@glasslifters.com.au