

SYDNEY GLASS LIFTERS

GLASS LIFTING EQUIPMENT HIRE

P: 0411 429 813 E: HIRE@GLASSLIFTERS.COM.AU W: WWW.GLASSLIFTERS.COM.AU

KS Compact



Features:

- SLL 400kg
- Control panel located directly at the device
- Power Supply - Rechargeable 24V
- Vacuum pump
- Wirth rectangle suction cup 720x960mm
- Suitable for horizontal and vertical installation of cladding panels
- Fork jib available adjustable
- The approved rectangle suction cup of Wirth enables to transport and to assemble almost all customary cladding pannels with smooth or slightly profiled surface
- Construction elements must be airtight on the suction areas, have a clean and even surface with no protective film



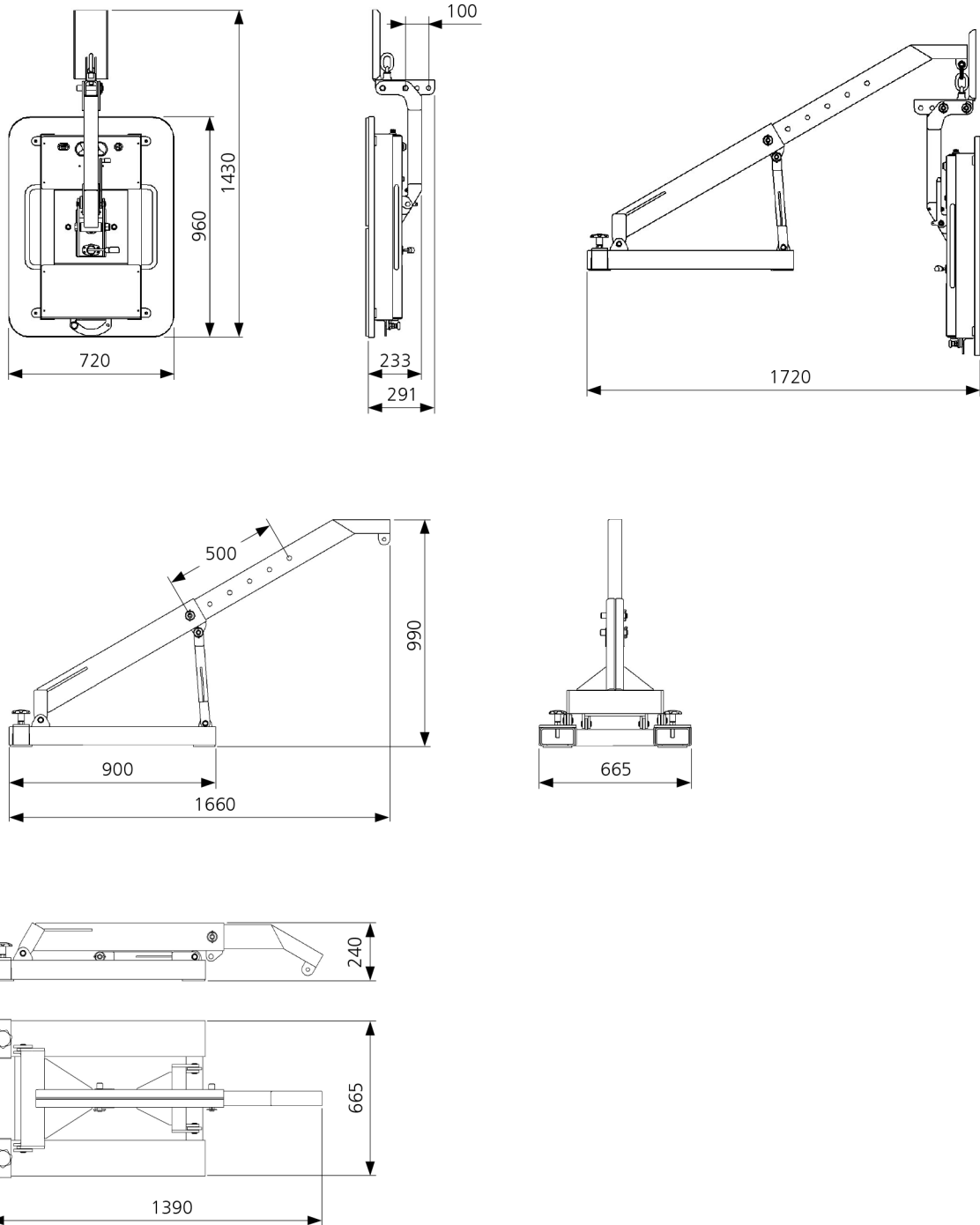
SYDNEY GLASS LIFTERS

15 Short Street, Gladesville, NSW 2111 | Mobile: 0411.429.813 | Fax: 02.9618.2145 | www.glasslifters.com.au | hire@glasslifters.com.au

SYDNEY GLASS LIFTERS

GLASS LIFTING EQUIPMENT HIRE

P: 0411 429 813 E: HIRE@GLASSLIFTERS.COM.AU W: WWW.GLASSLIFTERS.COM.AU



SYDNEY GLASS LIFTERS

15 Short Street, Gladesville, NSW 2111 | Mobile: 0411.429.813 | Fax: 02.9618.2145 | www.glasslifters.com.au | hire@glasslifters.com.au